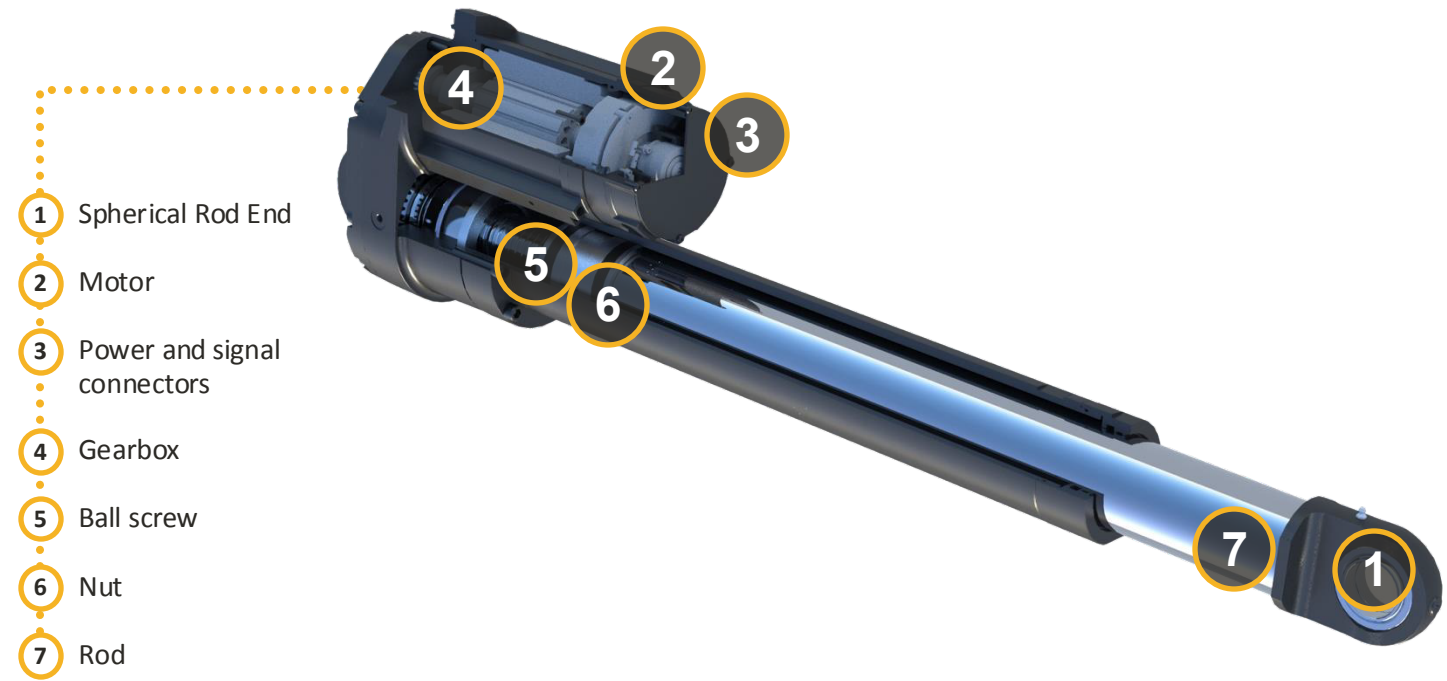
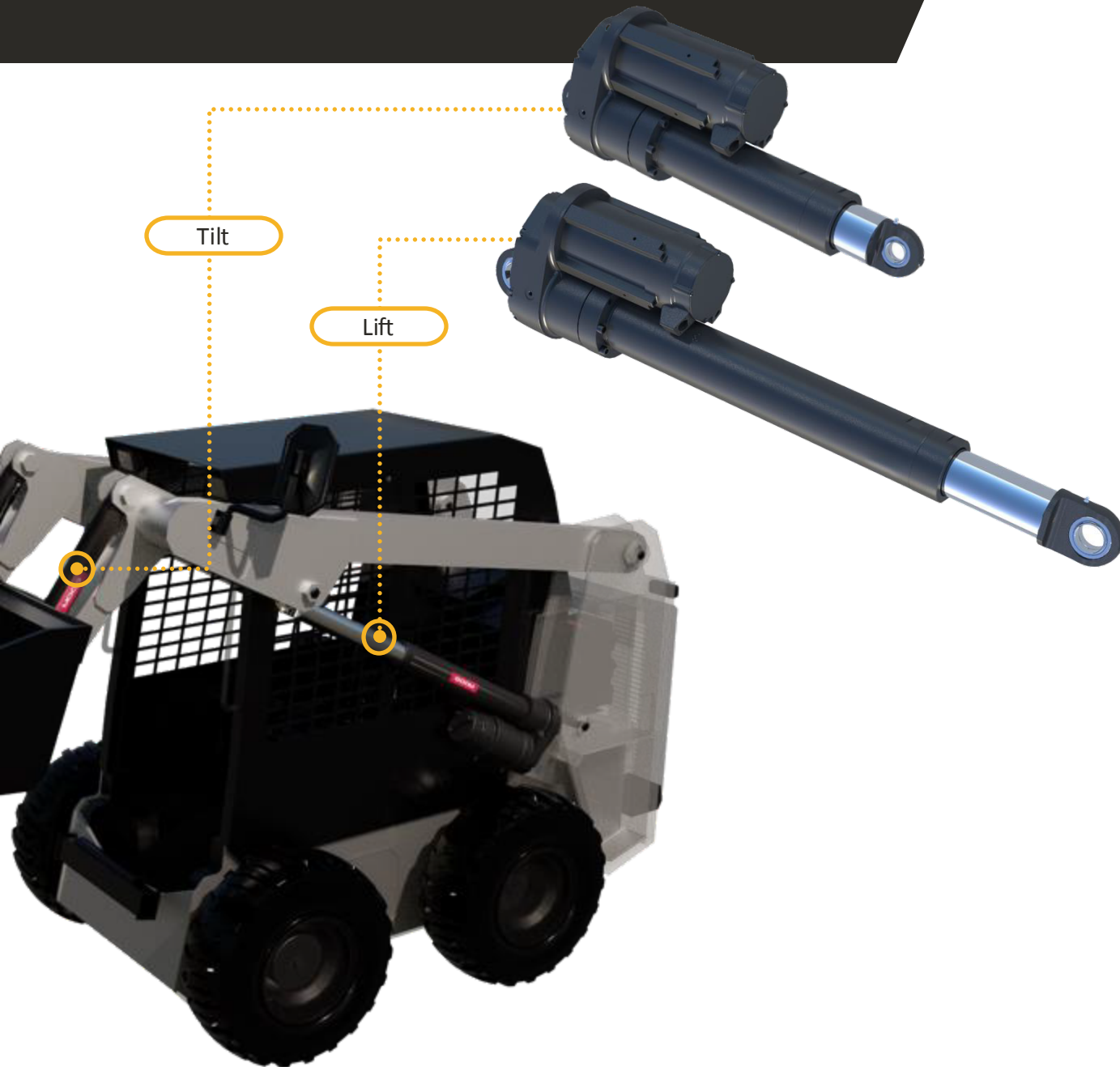


Electric Cylinder

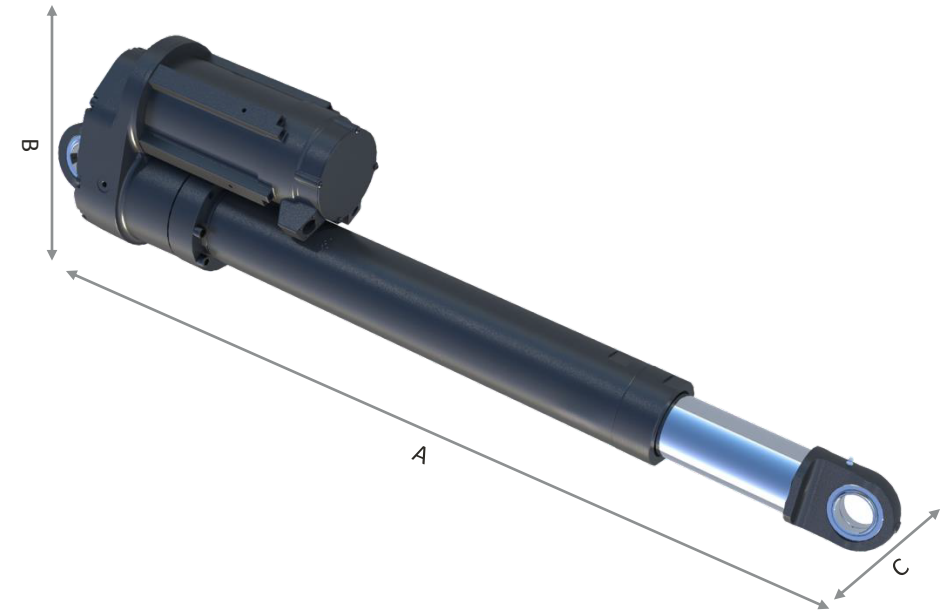
Electric cylinders, also known as Electromechanical Actuators (EMAs), convert the rotary motion of the servo motor into linear motion. The servo motor receives 3-phase power from the servo drive to provide high forces and high-speed control that matches or exceeds hydraulic cylinder performance without the mess of hydraulics.



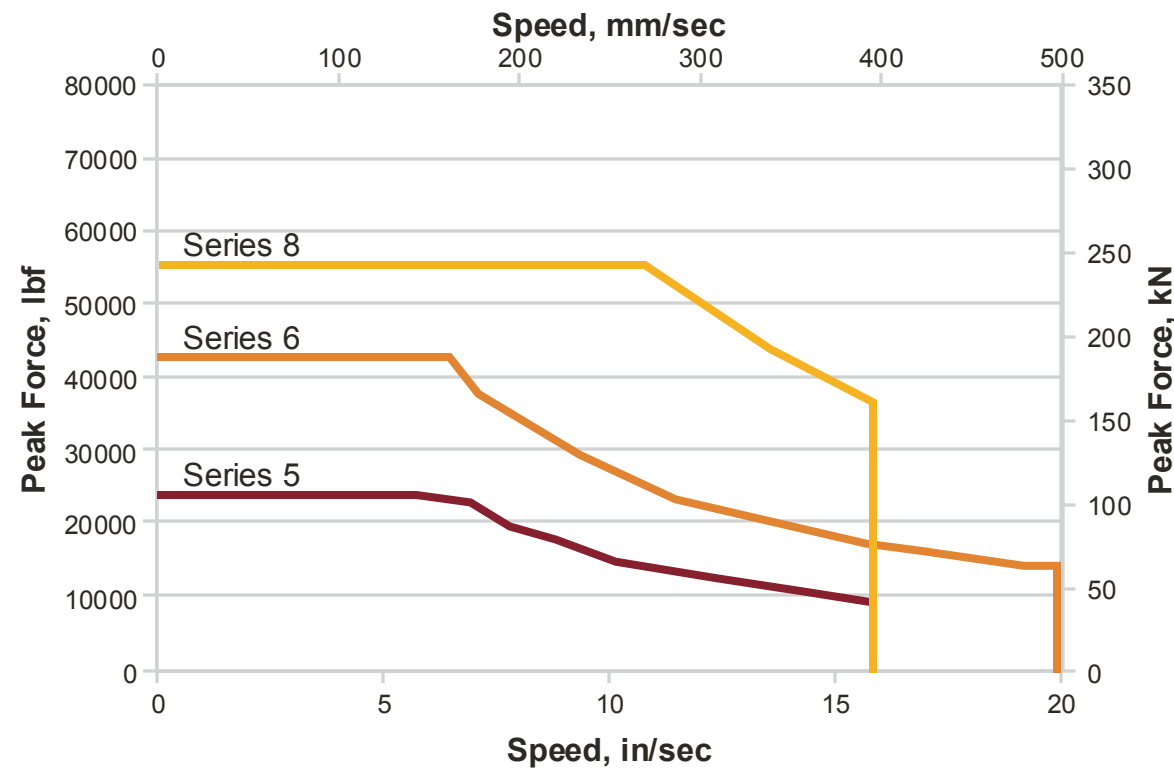
Features	
Flexible Configurations	Ability to modify standard series to meet performance requirements.
Variable Stroke Lengths	Capable of meeting the pin-to-pin requirements of the machine and motion envelope requirements.
Sensors	Resolver or absolute multiturn encoder provides actuator speed and position. Thermistor monitors internal motor temperature.
Load Holding Brake	Integrated load holding brakes provide load holding capabilities of vertical loads for safety and energy saving purposes.
Equal Extend and Retract Force	Peak forces are the same during both extension and retraction, unlike in a single rod hydraulic cylinder.
Efficient Design	High efficiency decreases total energy usage and leads to longer battery life.
Designed for Cost	A simplified design lowering production cost

Electric Cylinder

Electric cylinders, also known as Electromechanical Actuators (EMAs), convert the rotary motion of the servo motor into linear motion. The servo motor receives 3-phase power from the servo drive to provide high forces and high-speed control that matches or exceeds hydraulic cylinder performance without the mess of hydraulics.



Speed Force Curve



General Performance Capabilities

Specifications	Series 5	Series 6	Series 8
Peak Force (Extend & Retract)	106 kN (23,830 lbf)	190 kN (55,980 lbf)	249 kN (55,980 lbf)
No Load Speed mm/s (in/s)	400 (16)	500 (20)	400 (16)
A Length mm (in)	515 + Stroke (20.3 + Stroke)	508 + Stroke (20 + Stroke)	732 + Stroke (28.8 + Stroke)
B Length mm (in)	354 mm (13.9)	388 mm (15.3)	544 mm (21.4)
C Length mm (in)	162 mm (6.4)	210 mm (8.3)	270 mm (10.6)
Operating Voltage	400V - 800V		
Shock and Vibration	50g, 6g		
Environmental Ratings	IP66 & IP67 (Protected against hose down and temporary immersion) -40°C to +85°C (Ambient temperature)		